



US006973294B1

(12) **United States Patent**
Matthew et al.

(10) **Patent No.:** **US 6,973,294 B1**
(45) **Date of Patent:** **Dec. 6, 2005**

(54) **AUTOMATIC TUNING AM TRANSMITTER**

(75) Inventors: **Scott Matthew**, Fond du Lac, WI (US);
Tony Esdaile, Hertfordshire (GB);
Michael Milne, Hertfordshire (GB)

(73) Assignee: **Radio Technologies, LLC.**, Glenview, IL (US)

(*) Notice: Subject to any disclaimer, the term of this patent is extended or adjusted under 35 U.S.C. 154(b) by 986 days.

(21) Appl. No.: **09/938,170**

(22) Filed: **Aug. 23, 2001**

Related U.S. Application Data

(63) Continuation-in-part of application No. 09/201,366, filed on Nov. 30, 1998, now Pat. No. 6,295,443.

(51) **Int. Cl.**⁷ **H03C 1/62**

(52) **U.S. Cl.** **455/115.1**

(58) **Field of Search** 455/115.1

(56) **References Cited**

U.S. PATENT DOCUMENTS

3,732,496 A	5/1973	Boyer
3,794,941 A	2/1974	Templin
4,060,808 A	11/1977	Foldes
4,112,395 A	9/1978	Seward
4,117,493 A	9/1978	Altmayer
4,165,487 A	8/1979	Corderman
4,234,960 A	11/1980	Spilsbury et al.
4,538,465 A	9/1985	Bianchi et al.
4,620,194 A	10/1986	Bel Moratalla
4,726,071 A	2/1988	Jachowski
4,817,193 A	3/1989	Matthew

5,225,847 A	7/1993	Roberts et al.
5,253,511 A	10/1993	Jaramillo et al.
5,446,920 A	8/1995	Matsumoto et al.
6,295,443 B1 *	9/2001	Matthew et al. 455/115.1

OTHER PUBLICATIONS

Dwayne L. Kincaid, "An Automatic Antenna Tuner: The AT-11," *QST*, vol. 80, No. 1, P. 35 (Jan. 1996).

* cited by examiner

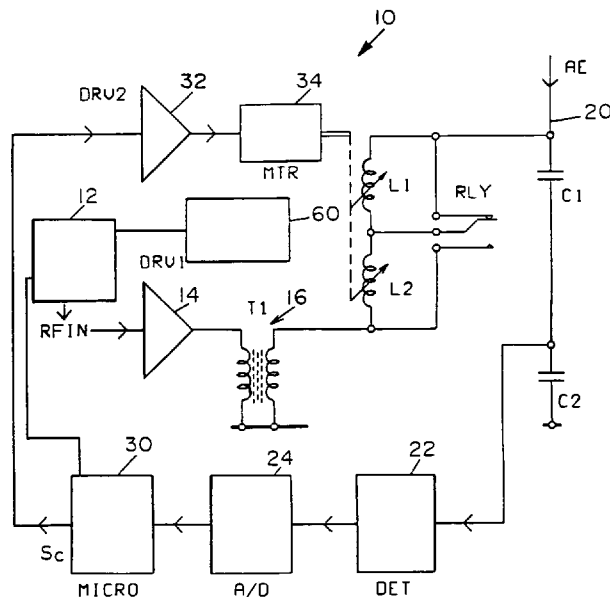
Primary Examiner—Creighton Smith

(74) *Attorney, Agent, or Firm*—Marshall, Gerstein & Borun LLP

(57) **ABSTRACT**

A radio transmitter is adapted to automatically adjust aerial impedance for a selected radio frequency. The radio transmitter includes a tunable radio frequency signal generator that has an impedance and is adapted to generate a radio frequency signal in the range of approximately 510 kilohertz to approximately 1705 kilohertz. The radio transmitter is also adapted to receive less than or equal to approximately 100 milliwatts of total input power. An aerial coupled to the tunable radio frequency signal generator and is adapted to transmit the radio frequency signal. The aerial has an output voltage, an aerial impedance and a length of less than or equal to approximately three meters. An adjustable inductor coupled to the aerial. A sampler coupled to the aerial and is adapted to measure the aerial output voltage. A processing unit is coupled to the sampler and to the adjustable inductor. The processing unit responds to the measured aerial output voltage by adjusting the adjustable inductor until the aerial impedance is approximately matched to the radio frequency signal generator impedance.

25 Claims, 11 Drawing Sheets



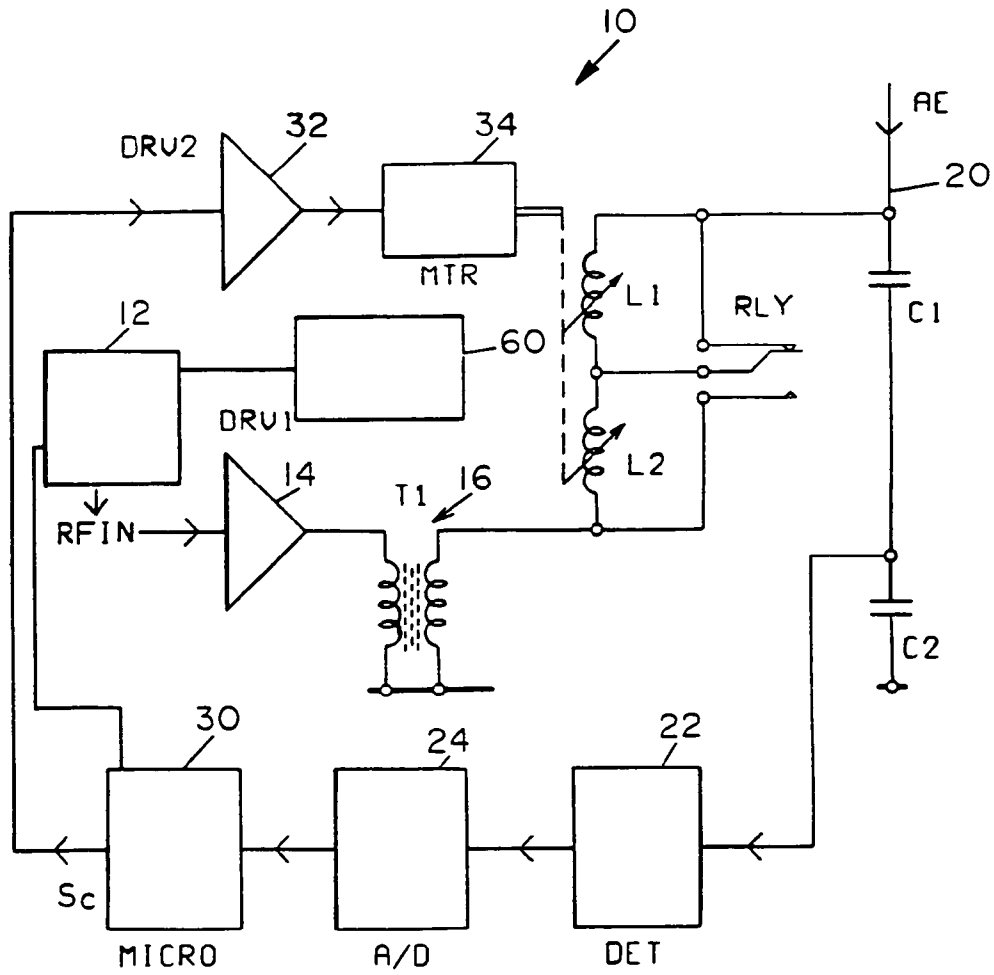
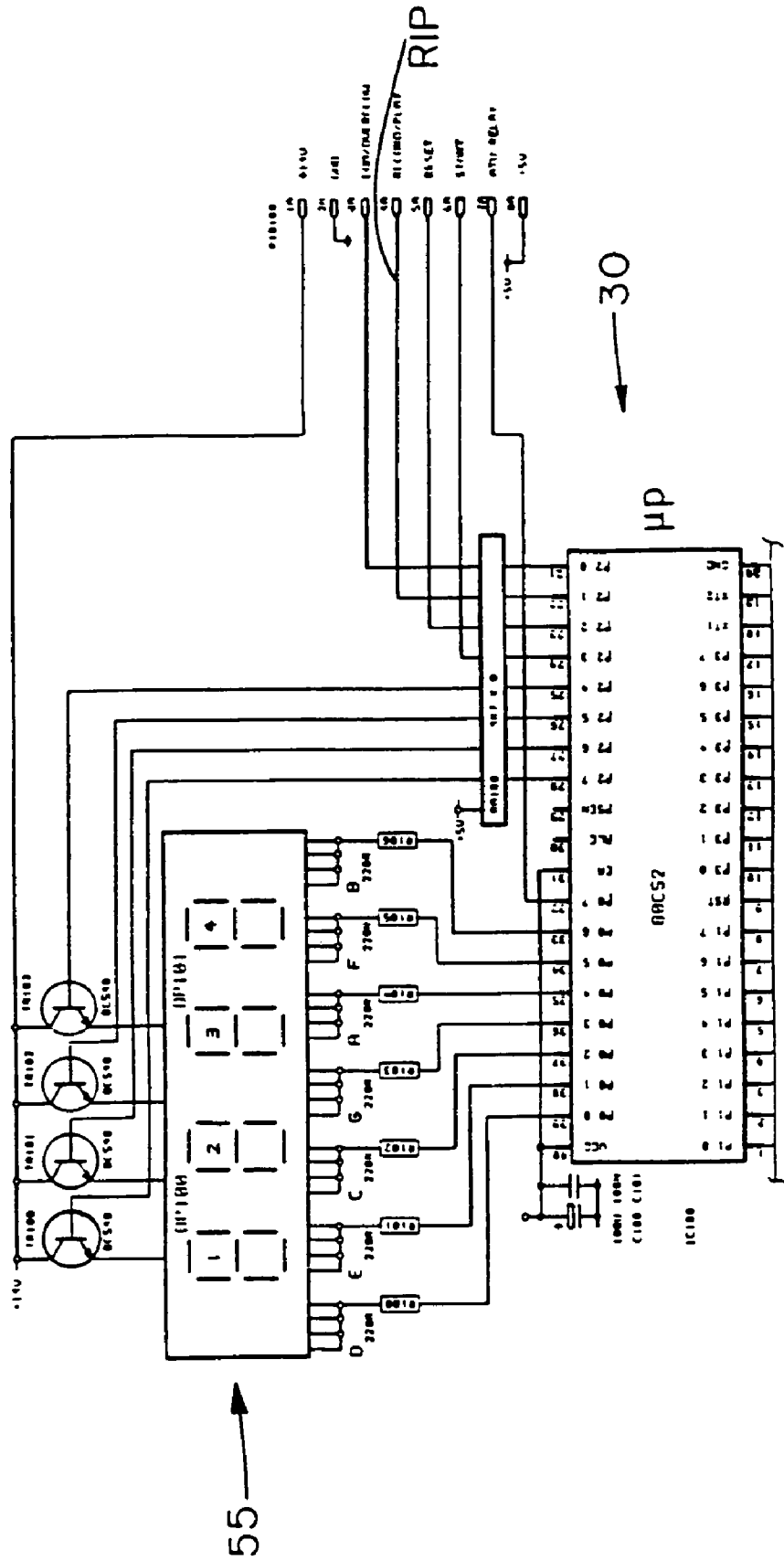
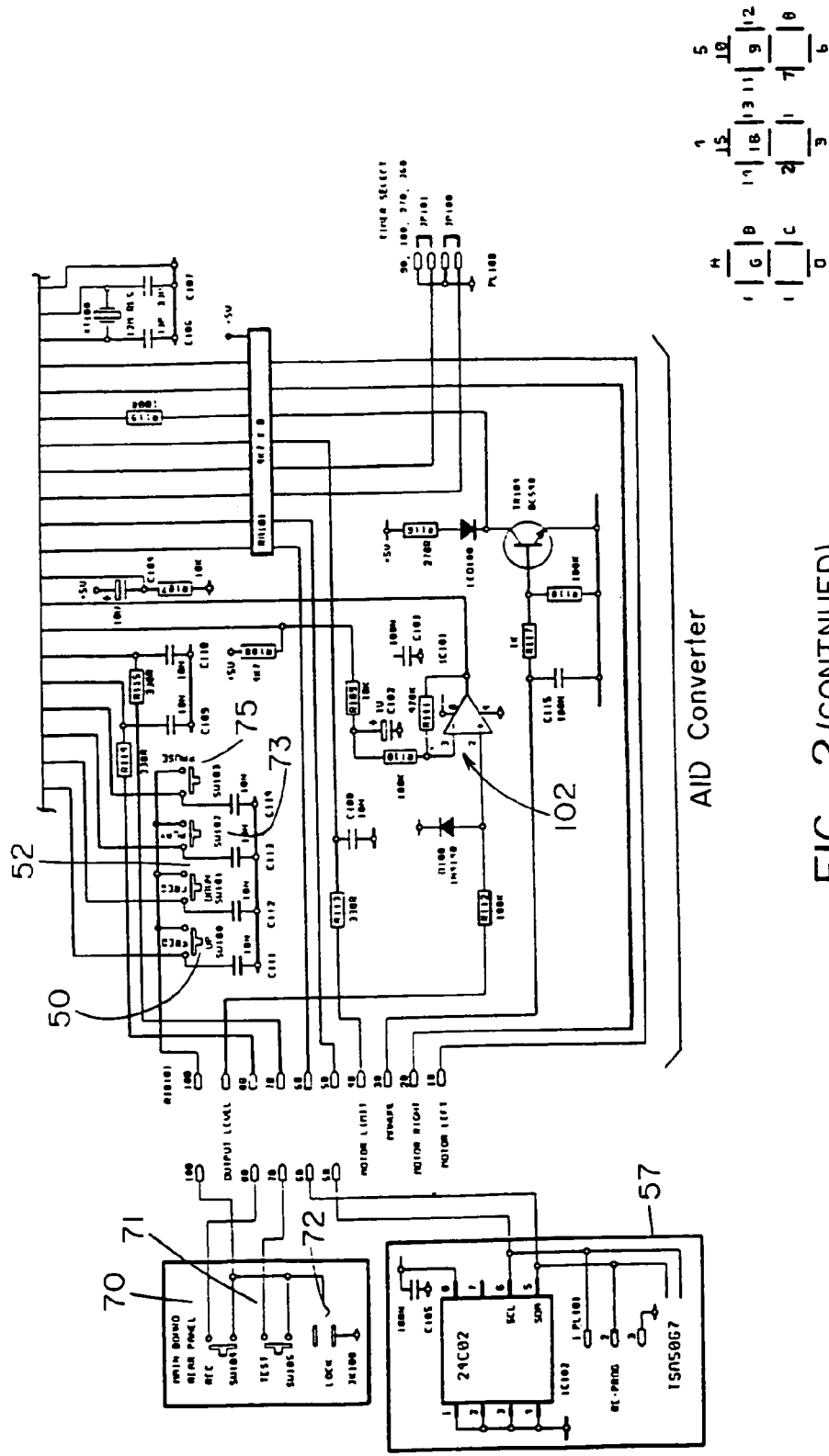


FIG. 1

FIG. 2





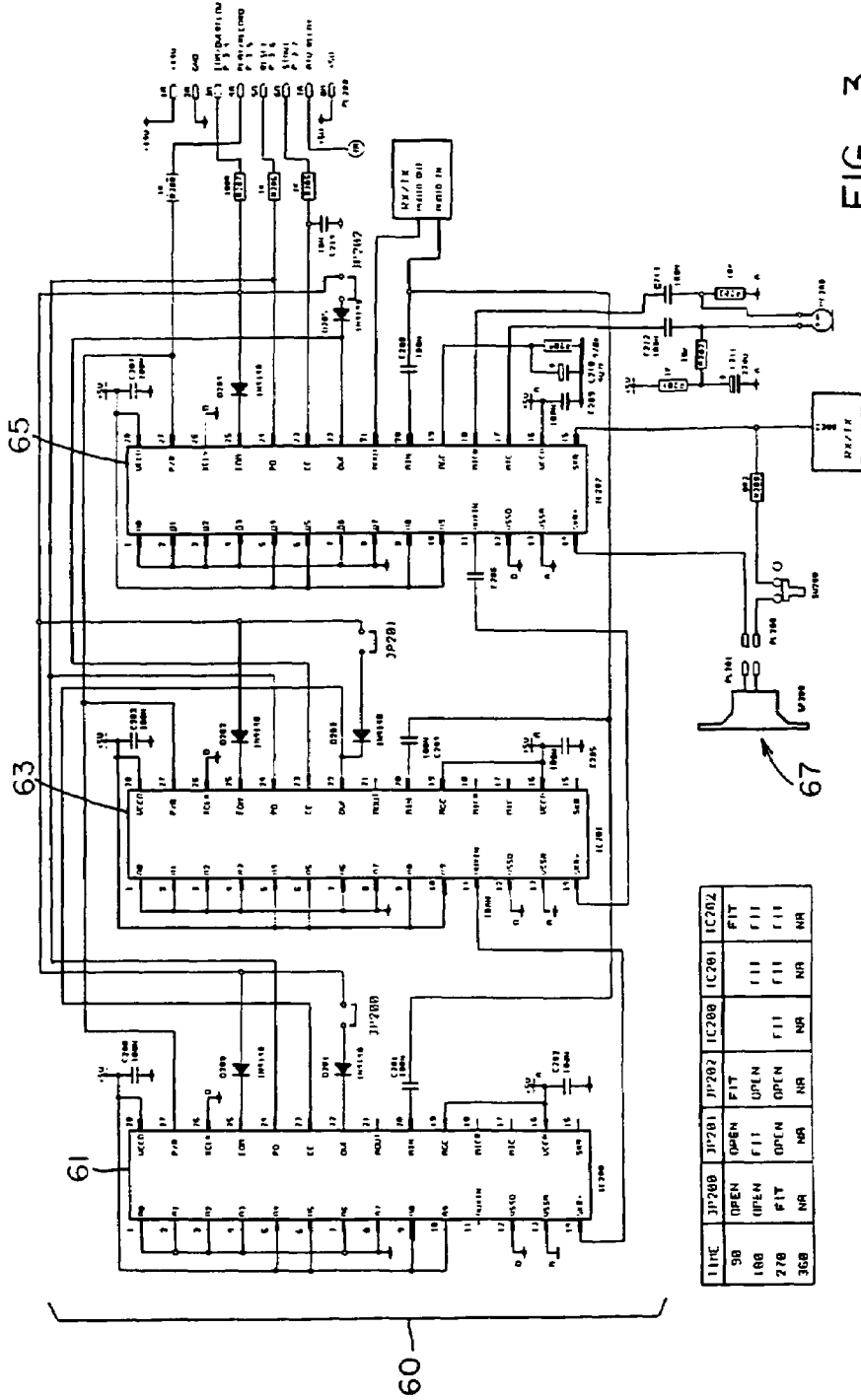


FIG. 3

LINE	J1P200	J1P201	J1P202	IC200	IC201	IC202
5B	OPEN	OPEN	FIT	FIT	FIT	FIT
10B	OPEN	FIT	OPEN	FIT	FIT	FIT
27B	FIT	OPEN	OPEN	FIT	FIT	FIT
30B	NR	NR	NR	NR	NR	NR

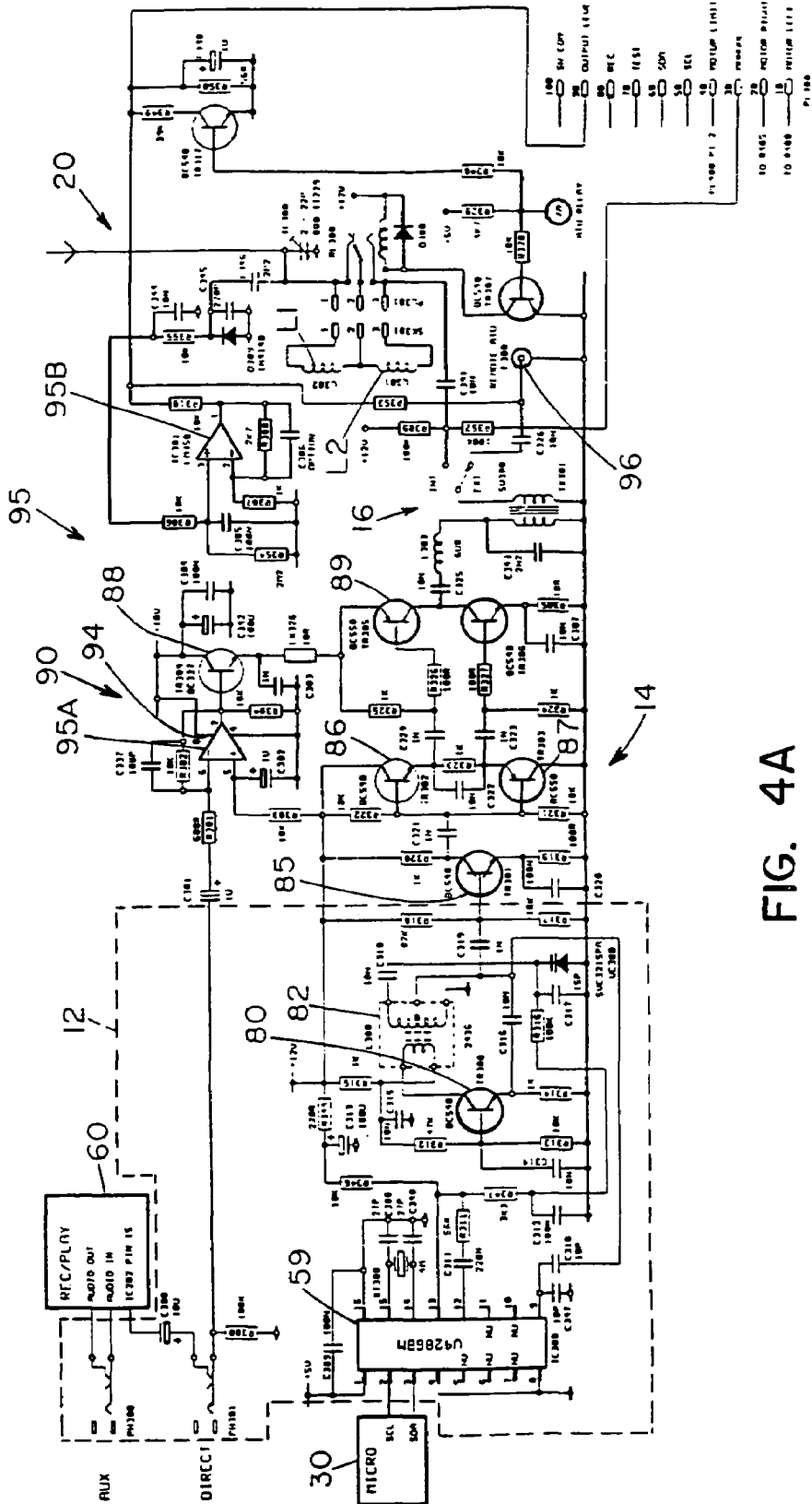


FIG. 4A

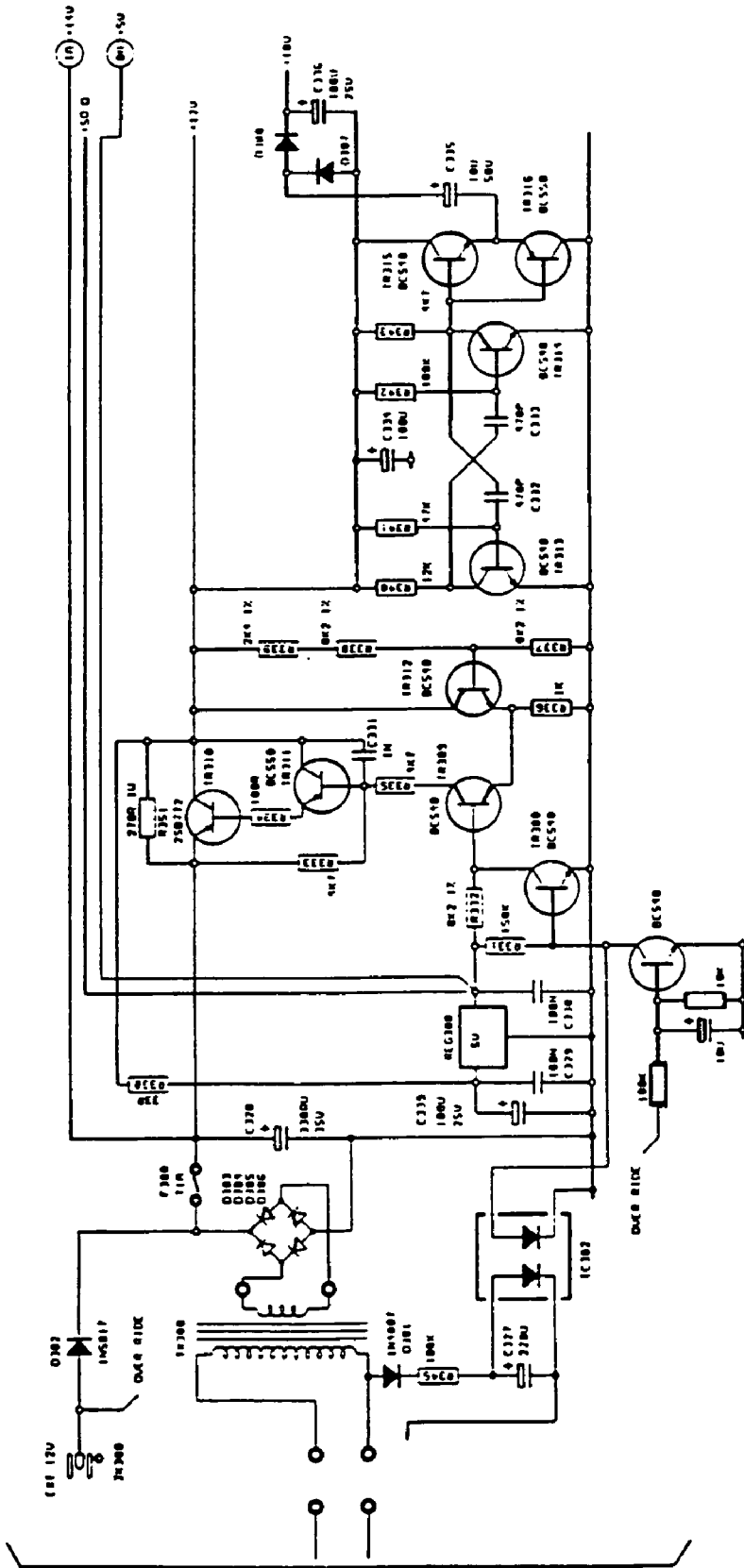


FIG. 4B

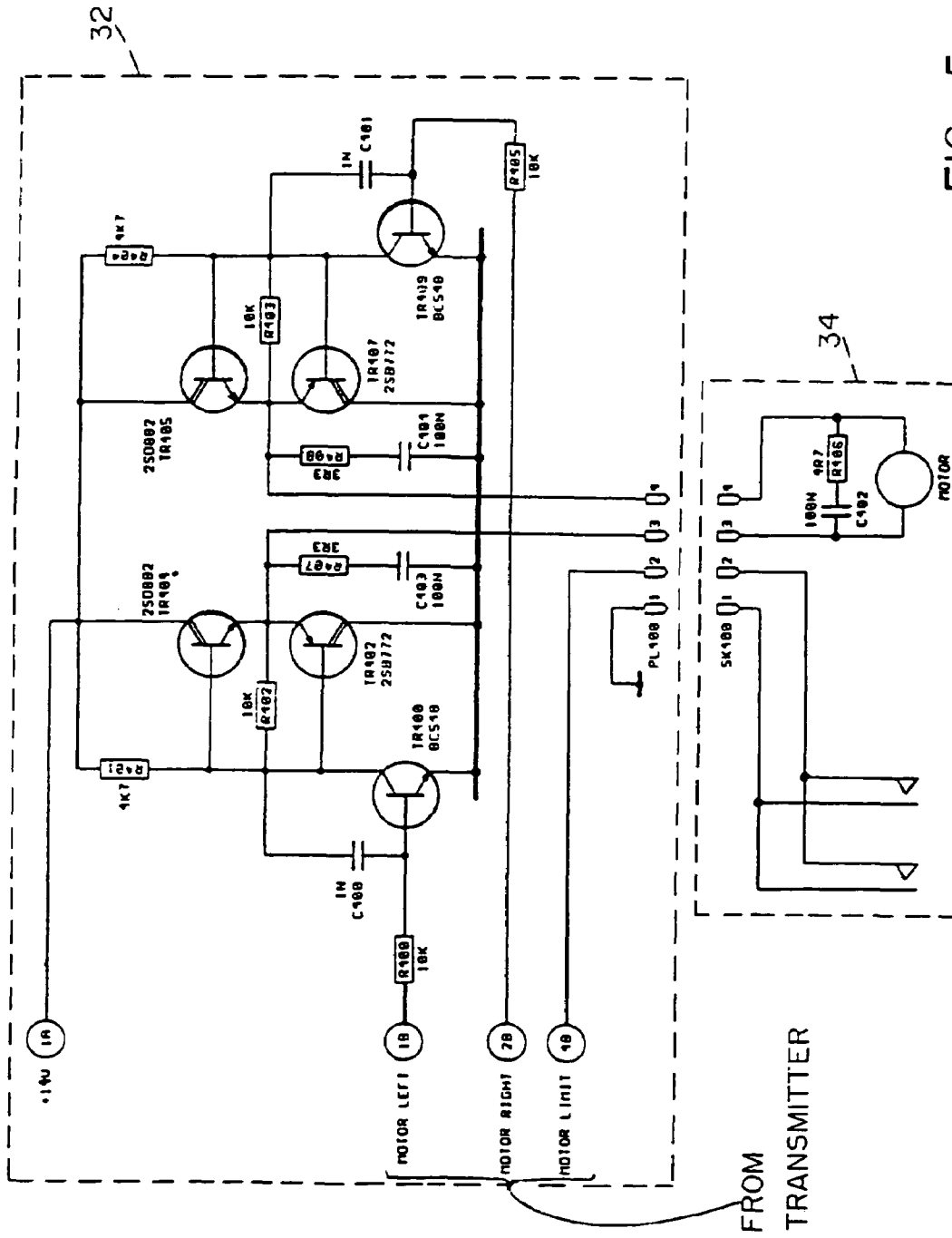


FIG. 5

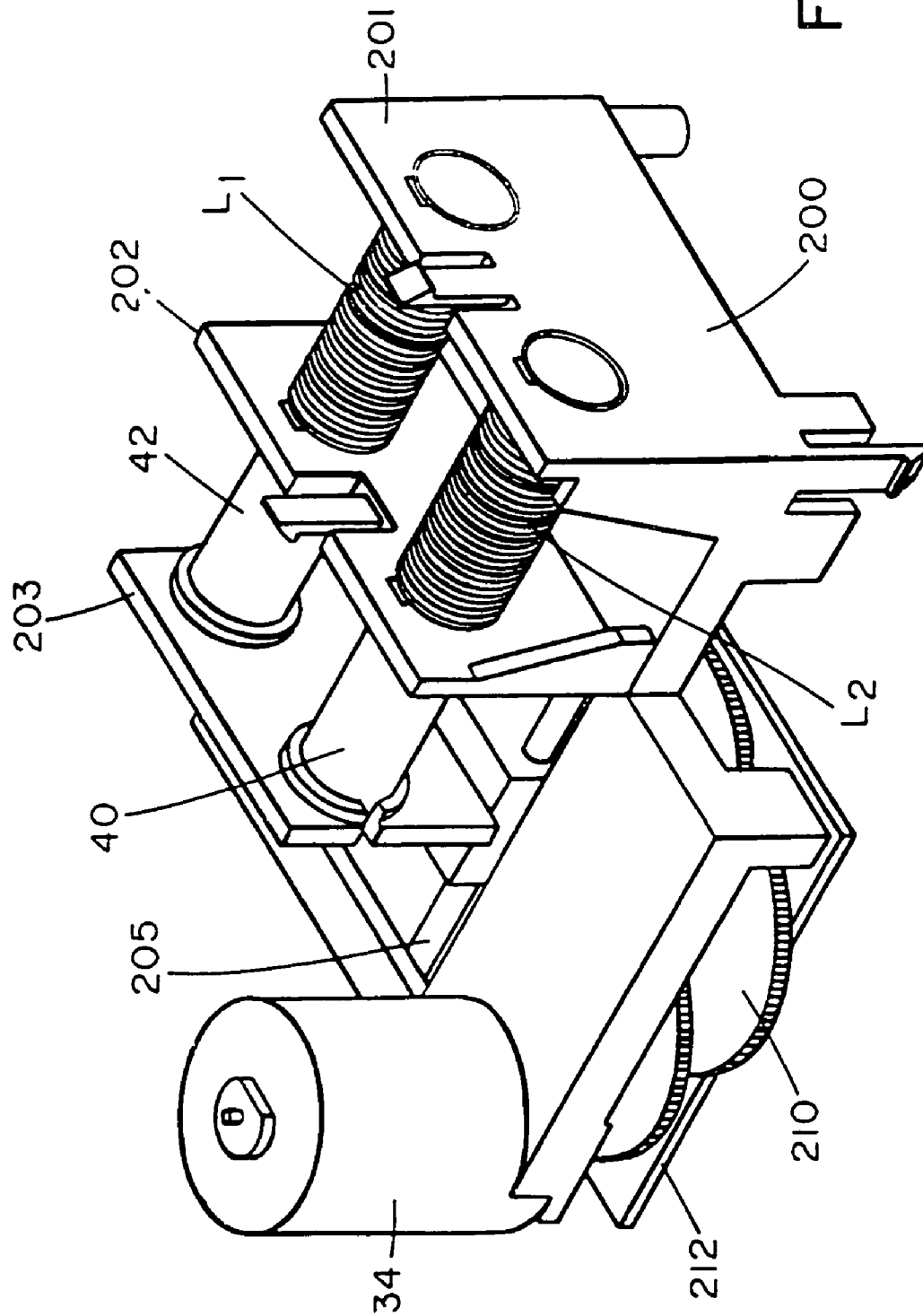


FIG. 6

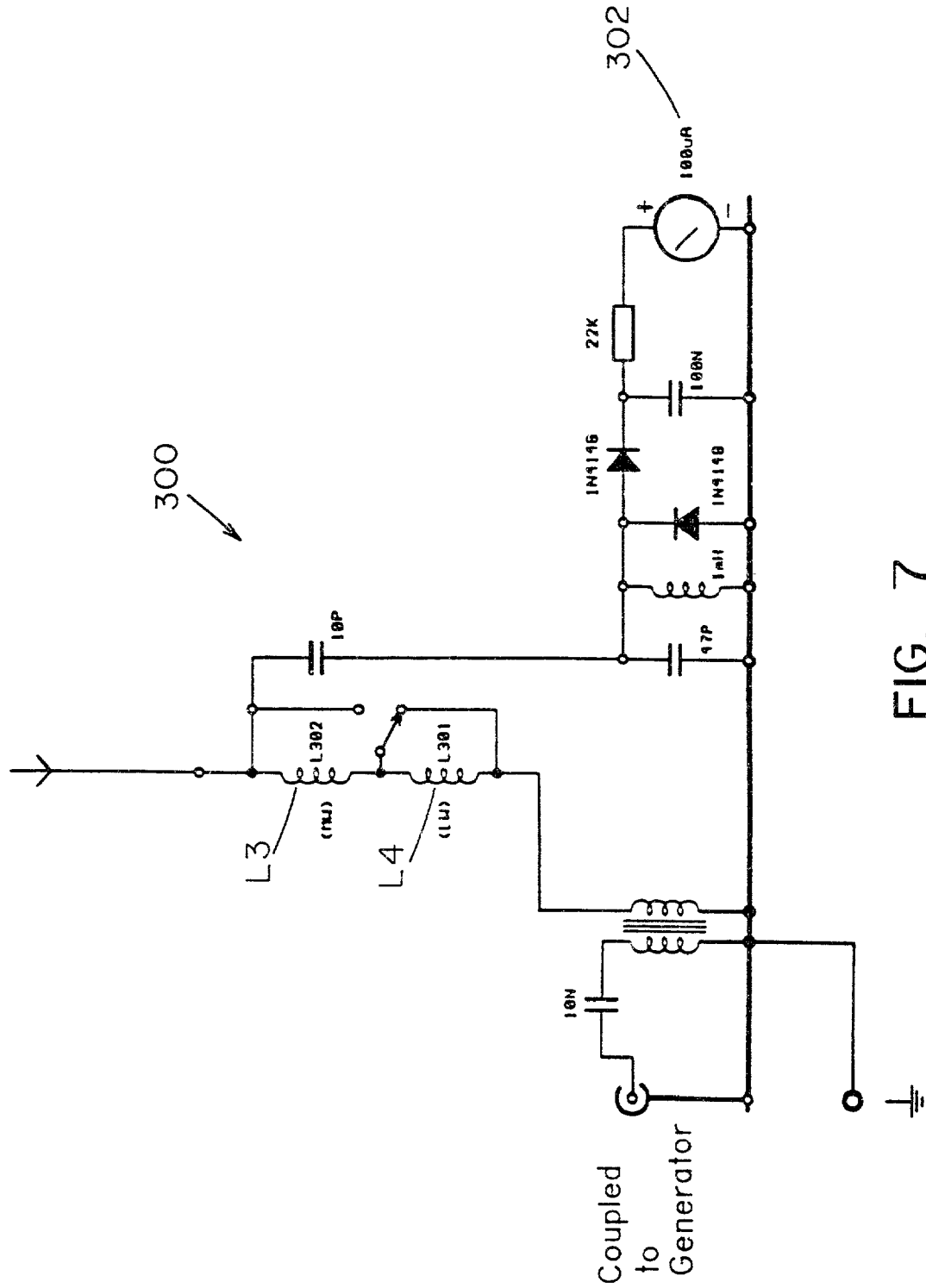


FIG. 7

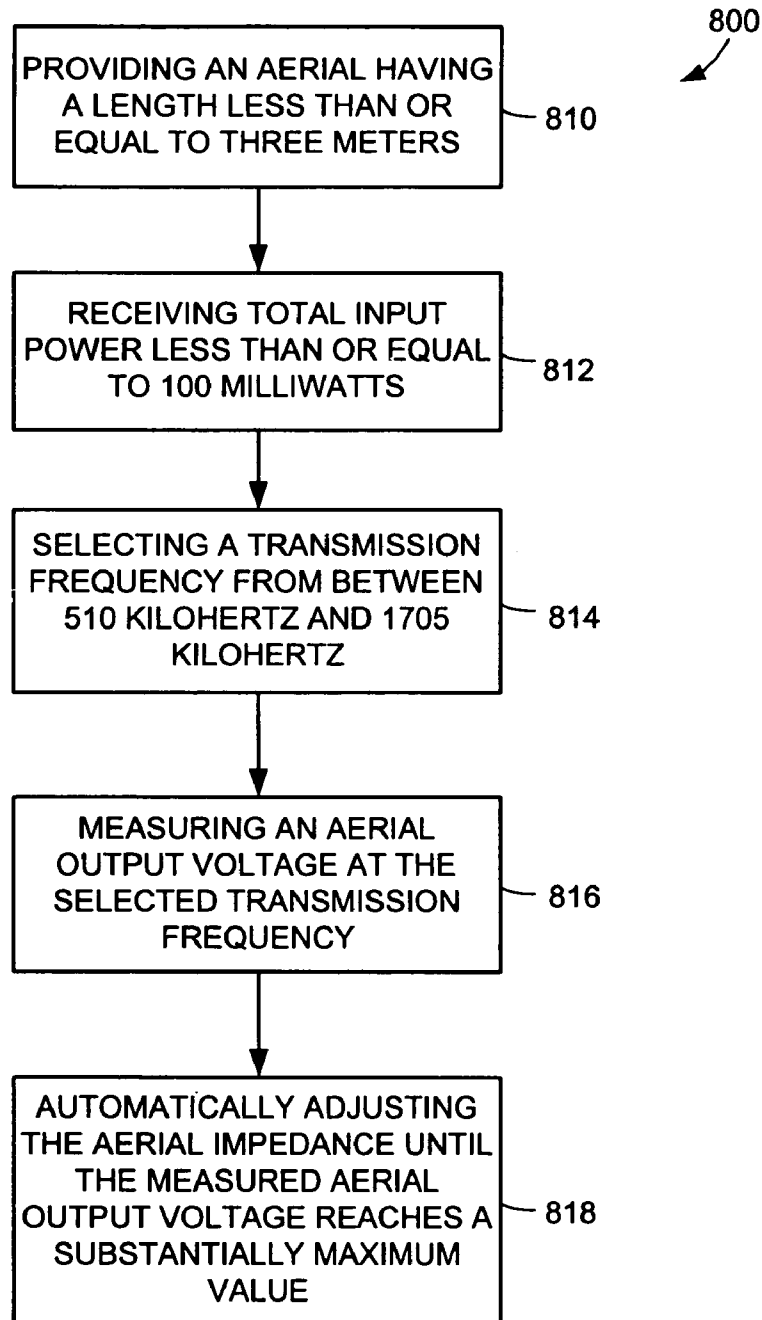
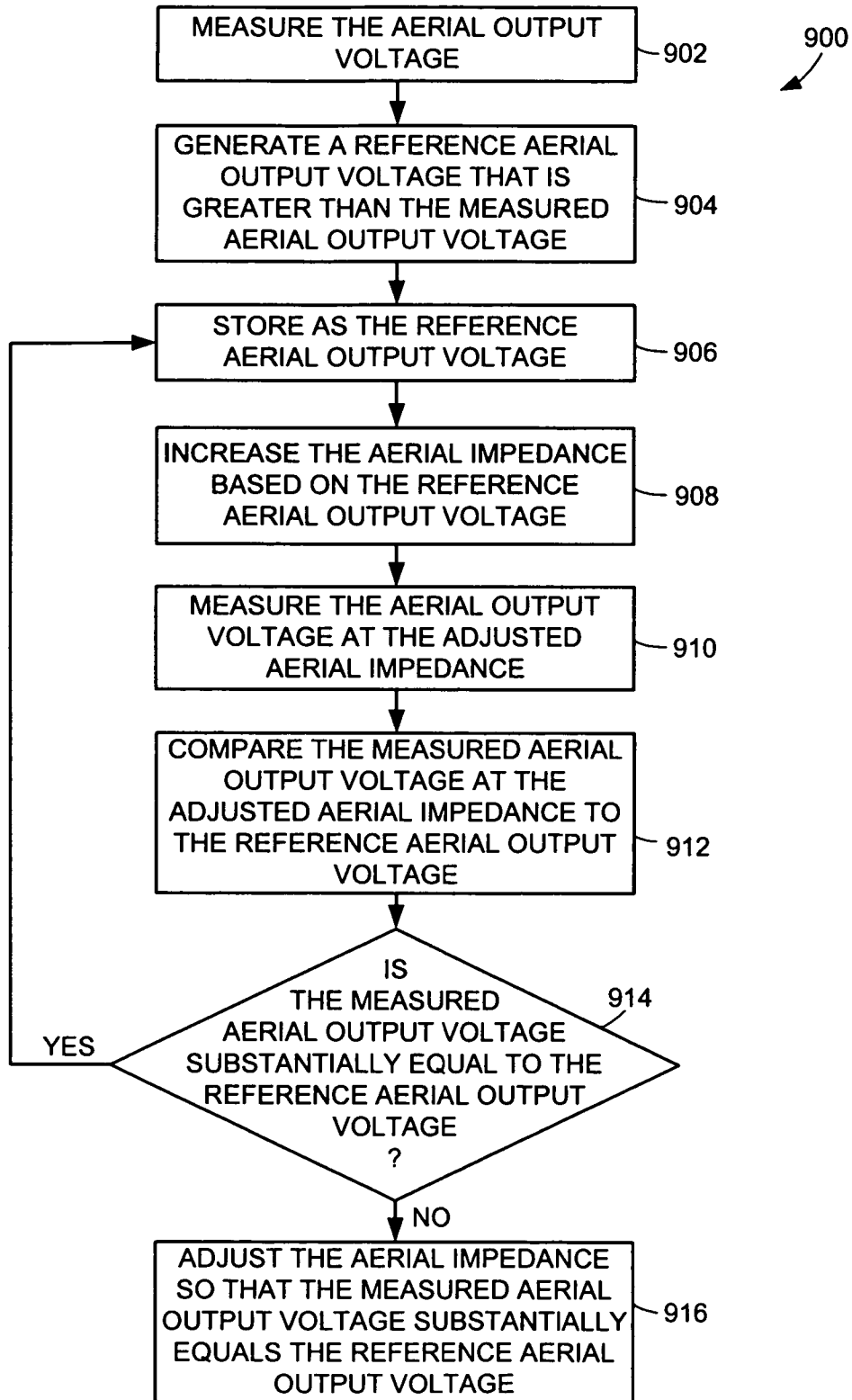


FIG. 8

FIG. 9



AUTOMATIC TUNING AM TRANSMITTER**CROSS-REFERENCE TO RELATED APPLICATION**

This is a continuation-in-part of earlier filed, application Ser. No. 09/201,366, filed Nov. 30, 1998, now U.S. Pat. No. 6,295,443.

FIELD OF THE INVENTION

The present invention relates generally to radio transmitters, and more particularly to an apparatus and a method that automatically matches transmitter impedance to aerial impedance for a selected radio transmission frequency.

BACKGROUND OF THE INVENTION

There are many instances where information needs to be transmitted quickly and cheaply. Amplitude modulation (or AM) radio transmission can be easily and inexpensively accomplished and, despite some deficiencies, is very attractive for many applications. In particular, new types of highly-specialized, direct radio advertising can be achieved using AM radios, such as for example, AM radios transmitting in the frequency band 510–1705 kilohertz.

One relatively new application for AM radios is in the sale of real estate. Recently, real estate of various types, but particularly residential homes, has been equipped with a radio transmitter which broadcasts a pre-recorded message describing the real estate and its features. A prospective buyer may then drive to the property and tune his or her automobile radio to the broadcast frequency of the radio transmitter and listen to the pre-recorded message. The system can operate 24 hours a day, seven days a week until the property is sold. Thus, prospective buyers may gather information at any time, not just those times when the property is open for inspection or when a real estate agent is available to show the property. Furthermore, the system has the ability to reach casual buyers who may not presently be interested in purchasing real estate, but who, if attracted to a property they pass by, may listen to a prerecorded message in their automobile. This initial exposure may lead to a purchase in some cases.

While direct radio marketing broadcasts have certain advantages, such broadcasts must meet Federal Communications Commission (FCC) restrictions related to signal frequency and strength. More specifically, the FCC has created specific regulations directed to the operation of unlicensed radio transmitters operating in the frequency band 510–1705 kilohertz. The FCC requires that the total input power supplied to the final radio frequency stage not exceed 100 milliwatts. Power supplied to a filament and/or a heater are not required to be included in the total input power calculation. In addition, the total length of the transmission line, antenna and ground lead (if used) should not exceed a total length of three meters or 9.84 feet.

Another FCC requirement is that direct marketing broadcasts not interfere with other radio signals such as commercial radio stations. Another consideration to be made when designing a transmitter for real estate sales is that several AM radios might be used in the same geographical area if multiple properties in that area are for sale at the same time. The proximity of many radio signals may cause interference, particularly if the radios broadcast on only one frequency.

Thus, a direct marketing radio transmitter must be designed so that the frequency of its broadcast signal can be selected from a range of frequencies depending on the specific placement to be made.

SUMMARY OF THE INVENTION

In accordance with an aspect of the invention, a method is provided for matching an aerial impedance to a generator impedance of a radio transmitter. The method includes the step of providing an aerial having a length equal to or less than approximately three meters and receiving a total input power having a magnitude equal to or less than approximately 100 milliwatts. A transmission frequency is selected from a range of approximately 510 kilohertz to approximately 1705 kilohertz. The aerial output voltage is measured at the selected transmission frequency; and the magnitude of the aerial impedance is automatically adjusted until the measured aerial output voltage reaches a substantially maximum value.

In accordance with another aspect of the invention, a radio transmitter is adapted to automatically adjust aerial impedance for a selected radio frequency. The radio transmitter includes a tunable radio frequency signal generator that has an impedance and is adapted to generate a radio frequency signal in the range of approximately 510 kilohertz to approximately 1705 kilohertz. The radio transmitter is also adapted to receive less than or equal to approximately 100 milliwatts of total input power. An aerial coupled to the tunable radio frequency signal generator and is adapted to transmit the radio frequency signal. The aerial has an output voltage, an aerial impedance and a length of less than or equal to approximately three meters. An adjustable inductor coupled to the aerial. A sampler coupled to the aerial and is adapted to measure the aerial output voltage. A processing unit is coupled to the sampler and to the adjustable inductor. The processing unit responds to the measured aerial output voltage by adjusting the adjustable inductor until the aerial impedance is approximately matched to the radio frequency signal generator impedance.

BRIEF DESCRIPTION OF THE DRAWINGS

FIG. 1 is a schematic diagram of a preferred embodiment of a radio transmitter.

FIG. 2 is a circuit diagram of the microprocessor and its associated circuitry of the radio transmitter of FIG. 1.

FIG. 3 is a circuit diagram of an audio recording/playback device used in a preferred embodiment.

FIG. 4A is a circuit diagram of the transmitter of FIG. 1.

FIG. 4B is a circuit diagram of a power supply unit used in a preferred embodiment.

FIG. 5 is a circuit diagram of the amplifier of FIG. 1.

FIG. 6 is a perspective view of the motor and adjustable inductive coils used in the preferred embodiment.

FIG. 7 is a circuit diagram of the remote aerial of FIG. 1.

FIG. 8 is a flowchart illustrating a method of matching the aerial impedance to the generator impedance of the radio transmitter of FIG. 1.

FIG. 9 is a flowchart illustrating a method of adjusting the aerial impedance of the aerial of FIG. 1.

DETAILED DESCRIPTION

A transmitter **10** constructed according to the teachings of the present invention is shown schematically in FIG. 1. The transmitter **10** includes a radio frequency (RF) generator **12** which generates an RF signal RF_{IN} . The RF_{IN} signal is fed to a power amplifier **14** and through a coupling transformer **16**. The signal is then fed from the coupling transformer **16** to a pair of motor-driven coils L_1 and L_2 . The coil L_1 is designed to tune to signals from about 1000 kHz to about 1705 kHz and the coil L_2 is designed to tune to signals from about 510 kHz to about 1000 kHz. Since the frequency range of each of the coils L_1 and L_2 is limited, the transmitter **10** can not tune to the second harmonic of the transmission signal. Only the fundamental of the signal can be found. This limitation on the frequency range reduces or eliminates interference with other broadcast services.

The tuned signal from the coils is then fed to an antenna or aerial **20**. The output signal of the coils is sampled using capacitors C_1 and C_2 and rectified using a detector circuit **22**. The sampled and rectified signal is converted to a digital signal by an analog-to-digital (A/D) converter **24**. The digital signal is then fed into a microprocessor **30**. The microprocessor **30** analyzes the level of the digital signal. As will be explained in greater detail below, the microprocessor **30** is programmed to adjust the tuning coils L_1 and L_2 so that the highest possible voltage is developed on the aerial **20**. Specifically, the microprocessor **30** generates a control signal SC which is delivered to a second power amplifier **32**. After the control signal S_c has been amplified, it is delivered to a motor **34** which adjusts the position of two ferrite cores **40** and **42** (FIG. 6) to adjust the inductive reactance of the coils L_1 and L_2 , and, therefore, the amplitude of the output signal of the transmitter **10**. The radio transmitter **10** should be adapted to operate on a total input power of less than or equal to 100 milliwatts. The total input power calculation does not include any power that may be required to operate a filament or a heater. In addition, the aerial **20** should preferably have a length of less than or equal to approximately three meters. In the event that a transmission line and/or ground lead is employed, the length of the transmission line and/or ground lead should be added to the length of the aerial **20** and total length of all such components employed should not exceed a total length of approximately three meters.

Having described the general operation of the transmitter **10**, the individual components will be described in more detail. Referring to FIG. 2, the microprocessor **30**, which may be any commonly available microprocessor, is designed to accept user input through switches **50** and **52**. Using switches **50** and **52**, a user may select a desired transmission frequency for the transmitter **10**. The transmission frequency is displayed on a seven-segment display **55** and a user may tune up to a higher frequency using the switch **50** and tune down to a lower frequency using the switch **52**. The selected frequency is stored in a non-volatile memory **57** and fed to a phase-locked loop (PPL) **59** (FIG. 4A) in the generator **12**. As shown in FIG. 4A, the microprocessor **30** and PLL **59** communicate through a serial data line (SDA) and a serial clock line (SCL) (ports **3.0** and **3.1** in FIG. 2).

The microprocessor **30** is also coupled by line RIP to a digital record/playback device **60** which consists of three identical record/playback integrated circuits **61**, **63**, and **65** (FIG. 3). Integrated circuits suitable for use in the present invention may be obtained from Information Storage Devices under model no. ISD 2590. The record/playback device **60** includes a speaker monitor **67** for monitoring the

recorded message. The operation of the record/playback device **60** is controlled by five user controlled input switches coupled to the microprocessor **30**: record switch **70**; test switch **71**; lock switch **72**; play switch **73**; and pause switch **75** (FIG. 2).

As best seen by reference to FIG. 4B, the transmitter **10** includes a power supply unit (PSU) **77**. The PSU **77** is of substantially conventional design and, therefore, will not be discussed in detail herein. As should be understood, the PSU **77** supplies power for the generator **12** and other components of the transmitter **10**.

As may be seen by reference to FIG. 4A, the PLL **59**, transistor **80**, and transformer **82** are used to generate the RF_{IN} signal. As indicated above, the RF_{IN} signal is amplified by the power amplifier **14**, which includes transistors **85**, **86**, **87**, **88**, and **89**. The output of the record/playback device is fed to modulator **90** (transistor **88**) which is driven by the first stage **95A** of a dual operational amplifier **95**, which also has a second stage **95B**. The modulated audio signal, at the chosen frequency, is then fed to the aerial **20**. Alternatively, the modulated audio signal may be fed to a remote aerial (discussed below) through a connector **96**.

As noted above, the impedance of the generator **12** is matched to aerial **20** to maximize its output voltage and achieve a high Q or quality factor. The Q of the aerial **20** is the ratio of the resonance frequency to the bandwidth between frequencies on opposite sides of the resonance frequency ("half-power points") where the response of the aerial **20** differs by about 3 decibels from the response level at resonance. The resonance-excitation frequency equals the natural frequency of the circuit. By adjusting the impedance of the aerial **20**, the natural frequency of the transmitter can be adjusted so that resonance or near resonance occurs at the user-selected broadcast frequency, resulting in the highest possible output. More specifically, the inductive reactance R_L of the coils L_1 and L_2 is adjusted by moving the ferrite cores **40** and **42**.

Movement of the cores **40** and **42** is controlled by the microprocessor **30** using a feedback loop. As indicated, the microprocessor **30** controls the PLL **59**. In order to set the oscillation frequency of the PLL **59**, the output voltage of the generator **12** is fed to the aerial **20** and, as best seen by reference to FIGS. 1 and 4, fed back to the microprocessor **30**. The signal is sampled via a capacitor **100**, rectified to DC, and amplified by the second stage **95B** of the operational amplifier **95**.

Using the feed-back it receives, the microprocessor **30** generates a variable pulse-width signal which is integrated to give a variable DC reference voltage for a comparator **102** (FIG. 2). When the comparator **102** changes state, the microprocessor **30** knows that the aerial DC reference voltage equals the DC reference voltage generated by the microprocessor **30**. Using this information, the microprocessor **30** raises its reference DC voltage while moving the cores **40** and **42**, checking for an equal increase in the aerial DC reference voltage. There comes a point where the aerial DC reference voltage falls relative to the microprocessor DC reference voltage. At that point, the microprocessor **30** knows that the optimum has been passed and reverses the core movement to find the actual peak.

While monitoring the output of antenna **20**, the microprocessor **30** drives the motor **34** to move the ferrite cores **40** and **42** of the tuning coils L_1 and L_2 . The microprocessor **30** is programmed to monitor the Q of the aerial **20**. When the Q of the aerial **20** reaches a maximum, the microprocessor **30** turns the motor **30** off, fixing the cores **40** and **42** in position. As noted above, the coils L_1 and L_2 are designed to

5

be tuned to different frequencies. Thus, only one of the coils is active at a time. A relay **110** controls which of the coils L_1 or L_2 is energized. The relay **110** is controlled by the microprocessor **30**, which upon sensing the desired input frequency set by the user will pick the appropriate coil to use, depending on whether the input frequency falls within the range of coil L_1 (about 1000 kHz to about 1705 kHz) or coil L_2 (about 510 kHz to about 1000 kHz).

As seen in FIG. 6, the tuning coils L_1 and L_2 are mounted on a support structure **200** having two end plates **201** and **202**. The ferrite cores **40** and **42** are mounted on a carriage **203** which rides on a pair of tracking bars **205**. The carriage **203** is engaged by a gear **207** which is driven by the motor **34** through a gear chain **210** which is supported by a bearing plate **212**. Depending on the control signal sent to the motor **34**, the ferrite cores **40** and **42** are moved into or out of the inductive coils L_1 and L_2 .

As indicated above, in an alternative embodiment of the present invention a remote aerial **300** (FIG. 7) may be coupled to the generator **12** through the connector **96** in place of the aerial **20**. The remote aerial **300** includes a voltmeter **302** and two coils L_3 and L_4 . Using the meter **302**, the coils L_3 and L_4 may be tuned manually to mimic the automatic tuning of the aerial **20**. The remote aerial **300** is particularly useful for those circumstances where the building in which the transmitter unit is placed shields or screens radio signals that are broadcast from inside of it.

Referring to FIG. 8, a flowchart illustrating a method of matching the aerial impedance to the generator impedance of the radio transmitter **800** begins at step **810** with providing an aerial having a length that is equal to or less than approximately three meters in accordance with FCC regulations. In the event that a transmission line and/or a ground lead is employed, the FCC further requires that the length of the transmission line and/or ground lead be added to the length of the antenna and that the total length not exceed approximately three meters. At step **812**, the radio transmitter receives a total input power of less than or equal to approximately 100 milliwatts. The FCC requires that the total input power supplied to the final radio frequency stage not exceed a maximum of approximately 100 milliwatts. The total input power calculation does not include power supplied to a radio transmitter filament or a radio transmitter heater. At step **814**, a transmission frequency from a range of approximately 510 kilohertz to approximately 1705 kilohertz is selected. The FCC does not require a license to operate in the frequency range of approximately 510 kilohertz to approximately 1705 kilohertz as long as the aerial length restrictions and input power restrictions are respected. At step **816**, the aerial output voltage is measured at the selected transmission frequency and at step **818**, the impedance of the aerial is automatically adjusted until the measured aerial output voltage reaches a substantially maximum value.

Referring to FIG. 9 a flowchart illustrating a method of adjusting the aerial impedance **900** by automatically increasing the magnitude of the aerial impedance until the magnitude of the measured aerial output voltage is substantially equal to a maximum value. More specifically, the magnitude of the aerial impedance is automatically incrementally increased on a periodic basis until the measured aerial output voltage has a magnitude that is less than the magnitude of a previously measured aerial output voltage and then decreasing the magnitude of the aerial impedance until the measured aerial output voltage is substantially equal to the previously measured aerial output voltage.

6

The method **900** begins at step **902** with measuring the aerial impedance. A reference aerial output voltage having a value that is greater than that of the measured aerial output voltage is generated at step **904** and stored at step **906**. The aerial impedance is increased based on the stored reference aerial output voltage at step **908** and the adjusted aerial output voltage is measured at step **910**. The measured aerial output voltage at the adjusted aerial impedance is compared to the stored reference aerial output voltage at step **912**. If the measured aerial output voltage is substantially equal to the reference aerial output voltage at step **914**, the value of the measured aerial output voltage is stored as the reference aerial output voltage. If the measured aerial output voltage is not substantially equal to the reference aerial output voltage at step **914**, the aerial impedance is adjusted, in this case decreased, so that the measured aerial output voltage substantially equals the value of the reference aerial output voltage. The value of the reference aerial output voltage is essentially the value of the previously measured aerial output voltage prior to incrementally increasing the aerial impedance.

In another embodiment, the aerial impedance can be adjusted by automatically decreasing the magnitude of the aerial impedance until the magnitude of the measured aerial impedance is substantially equal to a maximum value. More specifically, the magnitude of the aerial impedance is automatically incrementally decreased on a periodic basis until the measured aerial output voltage has a magnitude that is less than the magnitude of a previously measured aerial output voltage. The magnitude of the aerial impedance is then increased until the measured aerial output voltage is substantially equal to the previously measured aerial output voltage.

As mentioned previously, the magnitude of the impedance on the aerial is adjusted by adjusting the inductance of an adjustable inductor coupled to the aerial. The adjustable inductor includes the pair of motor driven coils L_1 and L_2 . In an alternate embodiment, the coil L_1 can be adjusted to the appropriate inductance when the selected transmission frequency is with a range of approximately 510 kilohertz to approximately 1000 kilohertz and the coil L_2 can be adjusted to the appropriate inductance when the selected transmission frequency is within a range of approximately 1000 kilohertz to approximately 1705 kilohertz. While preferred frequency ranges are provided for each of the tuning coils, the same or an alternative number of tuning coils covering different ranges of frequencies can be employed without departing from the spirit of the invention.

While the present invention has been described in what is believed to be the most preferred forms, it is to be understood that the invention is not confined to the particular examples and arrangement of the components herein illustrated and described, but embraces such modified forms thereof as come within the scope of the appended claims.

What is claimed is:

1. A method of matching an aerial impedance to a generator impedance of a radio transmitter, the method comprising the steps of:

- providing an aerial having a length of less than or equal to approximately three meters;
- receiving a total input power having a magnitude of less than or equal to approximately 100 milliwatts;
- selecting a transmission frequency from a range of approximately 510 kilohertz to approximately 1705 kilohertz;
- measuring an aerial output voltage at the selected transmission frequency; and

7

automatically adjusting a magnitude of an impedance of the aerial until the measured aerial output voltage reaches a substantially maximum value.

2. The method of claim 1, further including the step of providing a transmission line wherein the total length of the aerial and the transmission line is less than or equal to approximately three meters.

3. The method of claim 1, further including the step of providing a ground lead where the total length of the aerial and the ground lead is less than or equal to approximately three meters.

4. The method of claim 1, further including the step of providing a transmission line and a ground lead where the total length of the aerial, the transmission line and the ground lead is less than or equal to approximately three meters.

5. The method of claim 1, wherein the total input power comprises the total input power supplied to the final radio frequency stage.

6. The method of claim 5, wherein the value of the total input power excludes the amount of power supplied to a filament and to a heater.

7. The method of claim 1, wherein the step of automatically adjusting the magnitude of the aerial impedance further includes automatically increasing the magnitude of the aerial impedance until the magnitude of the measured aerial output voltage is substantially equal to a maximum value.

8. The method of claim 1, wherein the step of measuring the aerial output voltage further includes measuring the aerial output voltage on a periodic basis and the step of automatically adjusting the magnitude of the aerial impedance further includes the steps of automatically incrementally increasing the magnitude of the aerial impedance on a periodic basis until the measured aerial output voltage has a magnitude that is less than the magnitude of a previously measured aerial output voltage and decreasing the magnitude of the aerial impedance until the measured aerial output voltage is substantially equal to the previously measured aerial output voltage.

9. The method of claim 8, further including the step of storing the measured aerial output voltage as a previously measured aerial output voltage prior to incrementally increasing the aerial impedance.

10. The method of claim 1, wherein the step of automatically adjusting the magnitude of the aerial impedance further includes automatically decreasing the magnitude of the aerial impedance until the magnitude of the measured aerial impedance is substantially equal to a maximum value.

11. The method of claim 1, wherein the step of measuring the aerial output voltage further includes measuring the aerial output voltage on a periodic basis and the step of automatically adjusting the magnitude of the aerial impedance further includes automatically incrementally decreasing the magnitude of the aerial impedance on a periodic basis until the measured aerial output voltage has a magnitude that is less than the magnitude of a previously measured aerial output voltage and increasing the magnitude of the aerial impedance until the measured aerial output voltage is substantially equal to the previously measured aerial output voltage.

12. The method of claim 11, further including the step of storing the measured aerial output voltage as a previously measured aerial output voltage prior to incrementally decreasing the aerial impedance.

8

13. The method of claim 1, wherein the step of automatically adjusting the magnitude of the aerial impedance further includes adjusting the inductance of an adjustable inductor coupled to the aerial.

14. The method of claim 13, wherein the step of adjusting the inductance of the adjustable inductor further includes adjusting the inductance of a first coil when the selected transmission frequency is with a range of approximately 510 kilohertz to approximately 1000 kilohertz and adjusting the inductance of a second coil when the selected transmission frequency is within a range of approximately 1000 kilohertz to approximately 1705 kilohertz.

15. A radio transmitter adapted to automatically adjust aerial impedance for a selected radio frequency, the radio transmitter comprising:

- a tunable radio frequency signal generator having an impedance, adapted to generate a radio frequency signal in the range of approximately 510 kilohertz to approximately 1705 kilohertz and adapted to receive less than or equal to approximately 100 milliwatts of total input power;

- an aerial coupled to the tunable radio frequency signal generator and adapted to transmit the radio frequency signal, the aerial having an output voltage, an aerial impedance and a length of less than or equal to approximately three meters;

- an adjustable inductor coupled to the aerial;

- a sampler coupled to the aerial and adapted to measure the aerial output voltage;

- a processing unit coupled to the sampler and to the adjustable inductor, the processing unit, responsive to the measured aerial output voltage, adjusting the adjustable inductor until the aerial impedance is approximately matched to the radio frequency signal generator impedance.

16. The radio transmitter of claim 15, further comprising a transmission line wherein the total length of the aerial and the transmission line is less than or equal to approximately three meters.

17. The radio transmitter of claim 15, further comprising a ground lead where the total length of the aerial and the ground lead is less than or equal to approximately three meters.

18. The radio transmitter of claim 15, further comprising a transmission line and a ground lead where the total length of the aerial, the transmission line and the ground lead is less than or equal to approximately three meters.

19. The radio transmitter of claim 15, wherein the total input power comprises the total input power supplied to the final radio frequency stage.

20. The radio transmitter of claim 15, wherein the value of the total input power excludes the amount of power supplied to a filament and to a heater.

21. The radio transmitter of claim 15, wherein the processing unit is further adapted to issue a command to iteratively increase the impedance of the adjustable inductor until the measured aerial output voltage ceases increasing thereby matching the aerial impedance to the radio frequency signal generator impedance.

22. The radio transmitter of claim 15, wherein the processing unit is further adapted to issue a command to

9

iteratively decrease the impedance of the adjustable inductor until the measured aerial output voltage ceases increasing thereby matching the aerial impedance to the radio frequency signal generator impedance.

23. The radio transmitter of claim **15**, wherein the adjustable inductor comprises a first tuning coil and a second tuning coil.

10

24. The radio transmitter of claim **23**, wherein each of the first and second tuning coils comprises a ferrite core mounted on a motor driven carriage.

25. The radio transmitter of claim **15**, further comprising a record/playback device coupled to the tunable radio frequency generator.

* * * * *